

# Enclosed IP65 Switch-fuses & Switches

- Switch-fuses    ASF-3    20A to 630A
- Switches        AS-3     20A to 630A
- Accessories
- Spreader enclosure kits

[www-Doepke.co.uk](http://www-Doepke.co.uk)



## Enclosed Switch-fuses:

3 switched poles\* + BS 88 fuse links  
+ Neutral link (unswitched)

## Enclosed Switches:

3 switched poles\*  
+ Neutral link (unswitched)

\* Note:

Regulation 537.1.1 Note 1  
Table 537.4(3) Suitable for on-load switching and isolation in TN-C-S and TN-S systems meeting the requirements of Regulation 461.2

- Ratings 20A < 630A
- 3 pole + N link
- Indoor Installation
- IP65 Steel Enclosure
- Door Interlocked
- Gland Plate Entry
- UK Assembly



Ordering reference: see below

Product Standard: EN60947-3

Switch supplied with 3 incoming terminal shrouds.  
If you require additional terminal shrouds, please order separately.  
Refer to the Accessories tab.

| <b>Enclosed Switch-Fuses</b>                         |               |                           |           |
|--|---------------|---------------------------|-----------|
| <b>Ratings @ 35° C for Cable &lt; 70° C and CSA*</b> |               |                           |           |
| Refer to Technical Data for additional information   |               |                           |           |
| Poles  | AC22A<br>Amps | Cable csa mm <sup>2</sup> | Reference |
| 3  | 20            | 2.5                       | ASF-3020  |
| 3  | 32            | 6                         | ASF-3032  |
| 3  | 63            | 16                        | ASF-3063  |
| 3  | 100           | 50                        | ASF-3100  |
| 3  | 160           | 70                        | ASF-3160  |
| 3  | 200           | 95                        | ASF-3200  |
| 3  | 250           | 120                       | ASF-3250  |
| 3  | 400           | 240                       | ASF-3400  |
| 3  | 630           | 2 x 185                   | ASF-3630  |

| <b>Enclosed Switches</b>                             |               |                           |           |
|--|---------------|---------------------------|-----------|
| <b>Ratings @ 35° C for Cable &lt; 70° C and CSA*</b> |               |                           |           |
| Refer to Technical Data for additional information   |               |                           |           |
| Poles  | AC22A<br>Amps | Cable csa mm <sup>2</sup> | Reference |
| 3  | 20            | 4                         | AS-3020   |
| 3  | 32            | 6                         | AS-3032   |
| 3  | 63            | 16                        | AS-3063   |
| 3  | 100           | 35                        | AS-3100   |
| 3  | 160           | 70                        | AS-3160   |
| 3  | 200           | 95                        | AS-3200   |
| 3  | 250           | 120                       | AS-3250   |
| 3  | 400           | 240                       | AS-3400   |
| 3  | 630           | 2 x 185                   | AS-3630   |

\* Note:

The cable csa above is based on the requirements of 60947-3 - maximum conductor temperature 70° C.  
Refer to regulation 523 Current carrying capacity requirements for cables.

## Accessories for ASF-3 & AS-3

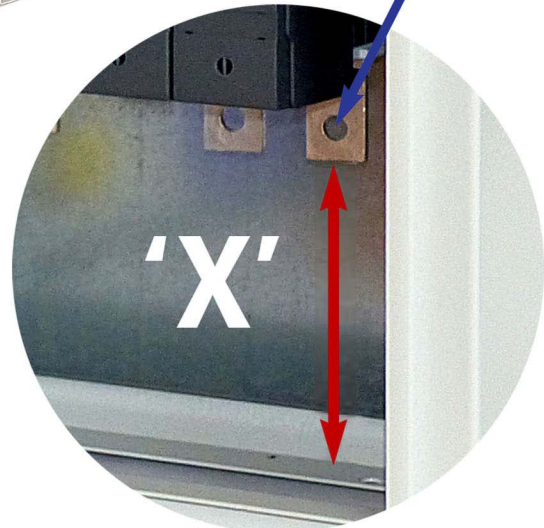
- Spreader Enclosure Kits
- Terminal Shrouds
- Auxiliary Contacts

**Do you need an AX spreader enclosure kit?**

Dimension **X** in the table below refers to the cabling space between the terminals and the gland plates - top and bottom of the enclosure:

| ASF-3...  |     | Dimensions (mm) |     |     |  |
|-----------|-----|-----------------|-----|-----|--|
| Reference | H   | W               | D   | X   |  |
| ASF-3020  | 305 | 205             | 105 | 100 |  |
| ASF-3032  | 305 | 205             | 105 | 88  |  |
| ASF-3063  | 405 | 305             | 105 | 138 |  |
| ASF-3100  | 405 | 305             | 105 | 130 |  |
| ASF-3160  | 505 | 405             | 250 | 180 |  |
| ASF-3200  | 605 | 405             | 250 | 200 |  |
| ASF-3250  | 605 | 405             | 250 | 200 |  |
| ASF-3400  | 605 | 405             | 250 | 185 |  |
| ASF-3630  | 805 | 605             | 300 | 247 |  |

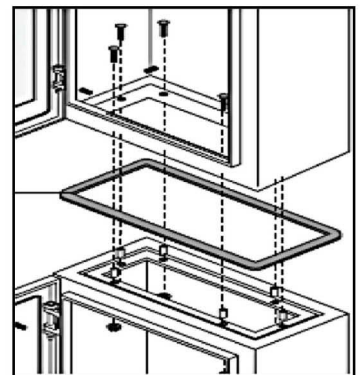
| AS-3...   |     | Dimensions (mm) |     |     |  |
|-----------|-----|-----------------|-----|-----|--|
| Reference | H   | W               | D   | X   |  |
| AS-3020   | 305 | 205             | 105 | 116 |  |
| AS-3032   | 305 | 205             | 105 | 116 |  |
| AS-3063   | 305 | 305             | 105 | 104 |  |
| AS-3100   | 405 | 305             | 105 | 150 |  |
| AS-3160   | 505 | 405             | 250 | 175 |  |
| AS-3200   | 605 | 405             | 250 | 175 |  |
| AS-3250   | 605 | 405             | 250 | 175 |  |
| AS-3400   | 605 | 405             | 250 | 158 |  |
| AS-3630   | 605 | 405             | 250 | 175 |  |



### Spreader Kit for ASF-3 & AS-3

| Reference | Dimensions (mm) |     |     | Suitable for              |
|-----------|-----------------|-----|-----|---------------------------|
|           | H               | W   | D   |                           |
| AX-02     | 505             | 405 | 250 | AS/ASF 3160-400A, AS-3630 |
| AX-04     | 805             | 605 | 300 | ASF-3630                  |

AX-Spreader Enclosure Kit includes Gasket & fixings for mounting on AS or ASF enclosures.



**Set of 3 Terminal shrouds  
for ASF-3 & AS-3**

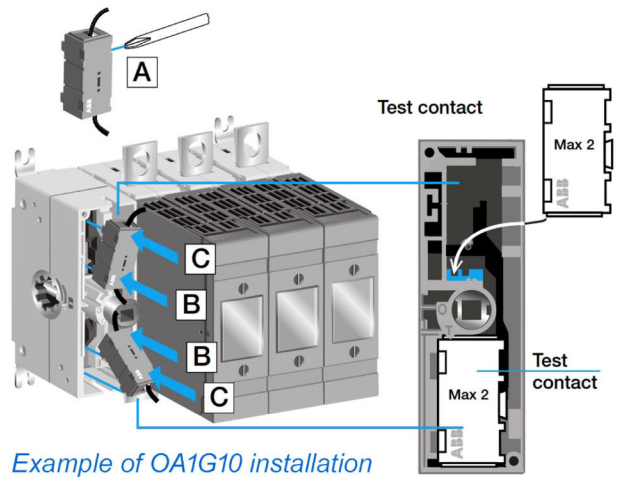
| Rating   | Reference    |
|----------|--------------|
| ASF-3100 | OSS160GG1S/3 |
| ASF-3160 | OSS160GG1S/3 |
| ASF-3200 | OSS200GG1S/3 |
| ASF-3250 | OSS250GG1S/3 |
| ASF-3400 | OSS400GG1S/3 |
| ASF-3630 | OSS800GG1S/3 |

| Rating  | Reference    |
|---------|--------------|
| AS-3160 | OTS250GG1S/3 |
| AS-3200 | OTS250GG1S/3 |
| AS-3250 | OTS250GG1S/3 |
| AS-3400 | OTS400GG1S/3 |
| AS-3630 | OTS800GG1S/3 |



**Auxiliary Contacts for ASF-3 & AS-3**

| Reference | Description | Suitable for                            |
|-----------|-------------|---|
| OA1G10    | 1 N/O       | AS-3020 to AS-630 & ASF-3032 to ASF-630 |
| OA4B10    | 1 N/O       | ASF-3020                                |



Have a question? Please **contact us today**

Tel: **01628 829133** email: **sales@doepke.co.uk**





**UK Technical Data 01**  
**ASF -3 \*\*\* Enclosed switch-fuses**  
 Rating AC22A 20 A < 630A 415V AC



**Function**

3 switched poles + N link (unswitched) enclosed switch-fuses for main incoming distribution supplies and branch feeder circuits. Regulation 537.1 .1 Note 1 Table 537.4 (3) Suitable for on-load switching and isolation in TN-C-S and TN-S systems meeting the requirements of Regulation 461.2

**Features**

Steel IP65 enclosure for indoor installation, gland plates top and bottom, padlockable door interlocked handle, supplied complete with three BS88 gG fuse links and three incoming terminal shrouds. Solid N link.

**Mounting**

Wall mounting in the vertical plane, cable entry top and bottom, to allow for correct cabling i.e. minimum cable bend radii

**Applications**

Rated AC 22A for on-load switching of general distribution circuits. For switching AC23 loads refer to additional ratings given in the data sheet. These switches are rated for use with 70°C copper cables in ambients up to 35°C .

**Notes**

Switches are supplied complete with 3 incoming terminal shrouds. Additional shrouds can be ordered as required please refer to the accessories page. Enclosures should be locked at all times - Access only by suitably instructed personnel trained to work on or near live equipment wearing the appropriate PPE.

**Accessories**

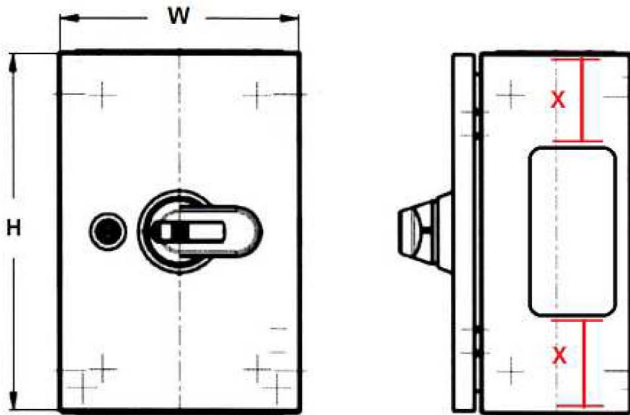
AX- spreader enclosures,Auxiliary switches, Terminal shrouds.

**Technical Data**

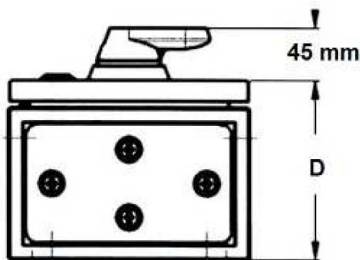
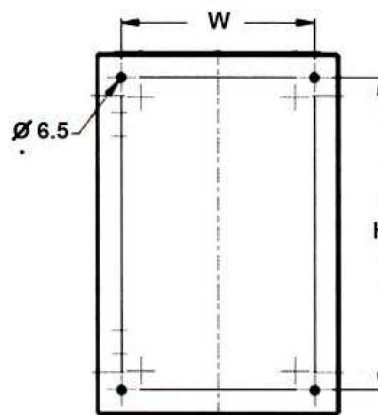
| Technical Data                            | ASF-3*** switch fuse |       |       |            |        |        |         |         |         |  |
|---|----------------------|-------|-------|------------|--------|--------|---------|---------|---------|--|
| ASF -3 *** References                     | 020                  | 032   | 063   | 100        | 160    | 200    | 250     | 400     | 630     |  |
| AC22A rating in Amps                      | 20                   | 32    | 63    | 100        | 160    | 200    | 250     | 400     | 630     |  |
| AC23A rating in Amps                      | 20                   | 23    | 63    | 100        | 160    | 200    | 250     | 400     | 630     |  |
| Min. Cable CSA @ 35 °C in mm <sup>2</sup> | 2.5                  | 6     | 16    | 50         | 70     | 95     | 120     | 240     | 2 x 185 |  |
| Max. Cable CSA in mm <sup>2</sup>         | 10                   | 25    | 25    | Lug <20 mm | <20 mm | <20 mm | <25 mm  | <25 mm  | <35 mm  |  |
| Cable fixing (clamp or bolt)              | clamp                | clamp | clamp | M8x25      | M8x25  | M8x25  | M10x30  | M10x30  | M12x40  |  |
| Tightening torque Nm                      | 2                    | 3.5   | 3.5   | 15 -22     | 15 -22 | 15 -22 | 30 - 44 | 30 - 44 | 50 - 75 |  |
| Fuse Link Bussmann / 80 kA 415V           | NITD20               | AAO32 | BAO63 | CEO100     | DEO160 | DD200  | ED250   | ED400   | FF630   |  |
| Fuse Link Tightening Torque Nm            | 2                    | 2     | 3.5   | 3.5        | 5      | 5      | 5       | 20      | 40      |  |
| Rated voltage (AC)                        | 415 V                |       |       |            |        |        |         |         |         |  |
| Rated frequency (AC)                      | 50 Hz/60 Hz          |       |       |            |        |        |         |         |         |  |
| Design requirements/Standards             | EN 60947-3           |       |       |            |        |        |         |         |         |  |

| Technical Data                      |                     | ASF-3*** Enclosure |     |   |     |     |         |
|-------------------------------------|---------------------|--------------------|-----|---|-----|-----|---------|
| IP Rating for internal installation | IP 65               |                    |     |   |     |     |         |
| Enclosure material                  | Powder coated Steel |                    |     |   |     |     |         |
| Mounting                            | Enclosure size      |                    |     | Wall fixing centers (fixing holes 6.5 mm) |     |     |         |
| Dimensions in mm                    | H                   | W                  | D   | X   | H   | W   | Wgt. kg |
| 20A                                 | 305                 | 305                | 150 | 100                                       | 263 | 263 | < 5     |
| 32A                                 | 305                 | 305                | 150 | 88  | 263 | 263 | < 7     |
| 63A                                 | 405                 | 305                | 150 | 138                                       | 363 | 263 | < 10    |
| 100A                                | 405                 | 305                | 150 | 130                                       | 363 | 263 | < 10    |
| 160A                                | 505                 | 405                | 250 | 180                                       | 463 | 363 | < 14    |
| 200A                                | 605                 | 405                | 250 | 200                                       | 563 | 363 | < 18    |
| 250A                                | 605                 | 405                | 250 | 200                                       | 563 | 363 | < 20    |
| 400A                                | 605                 | 405                | 250 | 185                                       | 563 | 363 | < 24    |
| 630A                                | 805                 | 605                | 300 | 247                                       | 763 | 563 | < 58    |

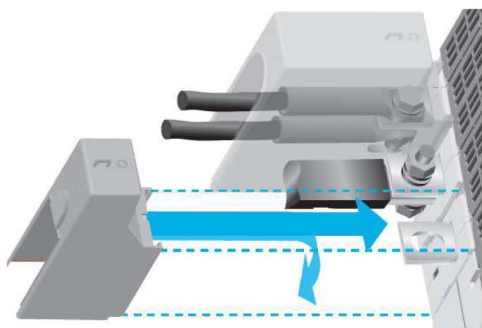
Dimensions



Fixing



| ASF Rating | Set of 3 Terminal shrouds |
|------------|---------------------------|
| 100A       | OSS160GG1S/3              |
| 160A       | OSS160GG1S/3              |
| 200A       | OSS200GG1S/3              |
| 250A       | OSS250GG1S/3              |
| 400A       | OSS400GG1S/3              |
| 630A       | OSS800GG1S/3              |



Installing auxiliary contact OA1G10 (1 N/O)  
 ASF-3032 to ASF-3630  
 Maximum of 2 auxiliary blocks per switch

OA4B10  
 ASF-3020

0 1 0 Test 0

Main contact  
 Test contact (NO)



**UK Technical Data 02**  
**AS -3 \*\*\* Enclosed switches**  
 Rating AC22A 20 A < 630A 415V AC



**Function**

3 switched poles + N link (unswitched) enclosed switches for main incoming distribution supplies and branch feeder circuits. Regulation 537.1 .1 Note 1 Table 537.4 (3) Suitable for on-load switching and isolation in TN-C-S and TN-S systems meeting the requirements of Regulation 461.2

**Features**

Steel IP65 enclosure for indoor installation, gland plates top and bottom, padlockable door interlocked handle, supplied complete with three pole switch and three incoming terminal shrouds. Solid N link.

**Mounting**

Wall mounting in the vertical plane, cable entry top and bottom, to allow for correct cabling i.e. minimum cable bend radii

**Applications**

Rated AC 22A for on-load switching of general distribution circuits. For switching AC23 loads refer to additional ratings given in the data sheet. These switches are rated for use with 70°C copper cables in ambients up to 35°C .

**Notes**

Switches are supplied complete with 3 incoming terminal shrouds. Additional shrouds can be ordered as required please refer to the accessories page. Enclosures should be locked at all times - Access only by suitably instructed personnel trained to work on or near live equipment wearing the appropriate PPE.

**Accessories**

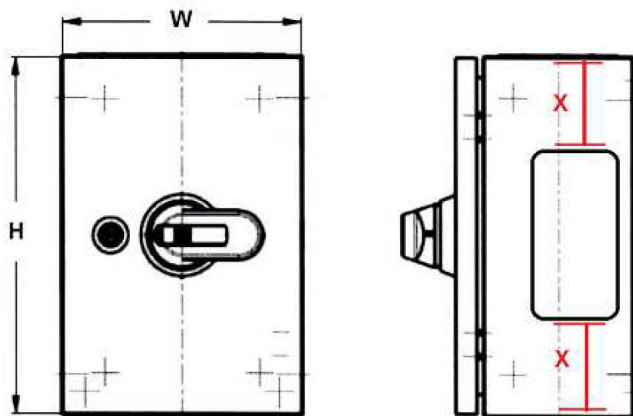
AX- spreader enclosures,Auxiliary switches, Terminal shrouds.

**Technical Data**

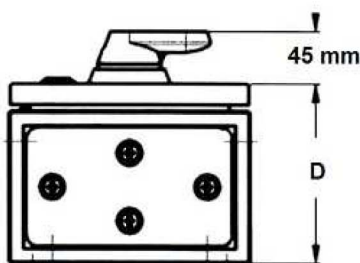
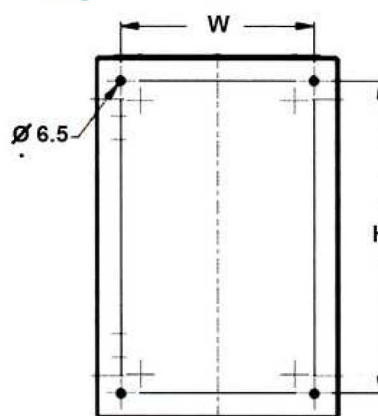
| Technical Data                            | AS-3*** switch |       |       |       |                          |       |       |        |         |  |
|---|----------------|-------|-------|-------|--------------------------|-------|-------|--------|---------|--|
| AS -3 *** References                      | 020            | 032   | 063   | 100   | 160                      | 200   | 250   | 400    | 630     |  |
| AC22A rating in Amps                      | 20             | 32    | 63    | 100   | 160                      | 200   | 250   | 400    | 630     |  |
| AC23A rating in Amps                      | 20             | 23    | 63    | 80    | 135                      | 200   | 250   | 400    | 630     |  |
| Min. Cable CSA @ 35 °C in mm <sup>2</sup> | 4              | 6     | 16    | 35    | 70                       | 95    | 120   | 240    | 2 x 185 |  |
| Max. Cable CSA in mm <sup>2</sup>         | 10             | 10    | 35    | 70    | Width of lug <20 mm / M8 |       |       | <25 mm | <39 mm  |  |
| Cable fixing (clamp or bolt)              | clamp          | clamp | clamp | clamp | M8x25                    | M8x25 | M8x25 | M10x30 | M12x40  |  |
| Tightening torque Nm                      | 0.8            | 0.8   | 2     | 6     | 15-22                    | 15-22 | 15-22 | 30-44  | 50-75   |  |
| Maximum fuse link gG / 50 kA 415V         | 20A            | 32A   | 63A   | 100A  | 160A                     | 200A  | 250A  | 400A   | 630A    |  |
| Fuse link maximum I peak in kA            | 6.5            | 6.5   | 13    | 16.5  | 24                       | 35    | 35    | 50.5   | 71.5    |  |
| Rated voltage (AC)                        | 415 V          |       |       |       |                          |       |       |        |         |  |
| Rated frequency (AC)                      | 50 Hz/60 Hz    |       |       |       |                          |       |       |        |         |  |
| Design requirements/Standards             | EN 60947-3     |       |       |       |                          |       |       |        |         |  |

| Technical Data                      |                     | AS-3*** Enclosure |     |   |     |     |         |
|-------------------------------------|---------------------|-------------------|-----|---|-----|-----|---------|
| IP Rating for internal installation | IP 65               |                   |     |   |     |     |         |
| Enclosure material                  | Powder coated Steel |                   |     |   |     |     |         |
| Mounting                            | Enclosure size      |                   |     | Wall fixing centers (fixing holes 6.5 mm) |     |     |         |
| Dimensions in mm                    | H                   | W                 | D   | X   | H   | W   | Wgt. kg |
| 20A                                 | 305                 | 205               | 150 | 116                                       | 263 | 163 | < 5     |
| 32A                                 | 305                 | 205               | 150 | 116                                       | 263 | 163 | < 5     |
| 63A                                 | 305                 | 305               | 150 | 104                                       | 263 | 263 | < 6     |
| 100A                                | 405                 | 305               | 150 | 150                                       | 363 | 263 | < 8     |
| 160A                                | 505                 | 405               | 250 | 175                                       | 463 | 363 | < 15    |
| 200A                                | 505                 | 405               | 250 | 175                                       | 463 | 363 | < 15    |
| 250A                                | 505                 | 405               | 250 | 175                                       | 463 | 363 | < 15    |
| 400A                                | 505                 | 405               | 250 | 158                                       | 463 | 363 | < 16    |
| 630A                                | 605                 | 405               | 250 | 175                                       | 563 | 363 | < 21    |

Dimensions



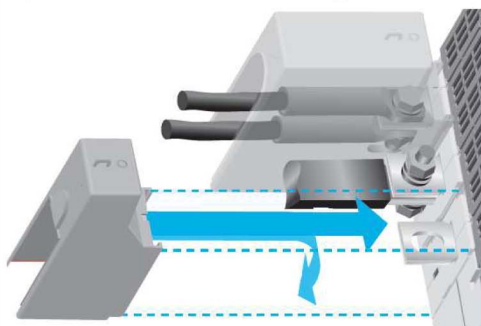
Fixing



AS Rating

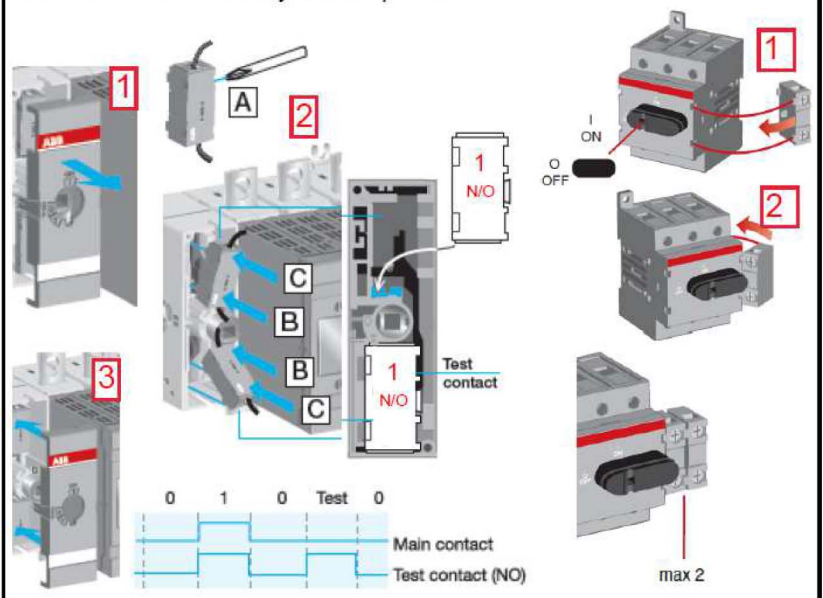
Set of 3 Terminal shrouds

- 160A OTS250G1S/3
- 200A OTS250G1S/3
- 250A OTS250G1S/3
- 400A OTS400G1S/3
- 630A OTS800G1S/3



Installing auxiliary contact OA1G10 (1 N/O)  
AS-3160 to AS-3630  
Maximum of 2 auxiliary blocks per switch

AS-3020 to AS-3100





# Doepke

**Doepke UK Ltd**  
3 Royal Oak Ind. Est. Daventry,  
England NN11 8QH

@ — sales@doepke.co.uk  
T — +44 (0)1628 829 133

www — [doepke.co.uk](http://doepke.co.uk)