

symbolic image

**UK Technical Data 04**  
**Dasy 016-2 230 V - we (white) or an (anthracite)**  
**Twilight lighting control unit**  
**(outdoor mounting)**



**Function**

Dasy control units designed for outdoor mounting, switch on when the daylight level drops below a preset value (potentiometer setting) and switches off again when the light level exceeds 1.5 x the set value (fixed hysteresis).

**Features**

Wide adjustment range of 1 lux ... 200 lux and high switching stability, quick and precise adjustment of switching values thanks to logarithmic characteristics and instant LED, significantly reduced sensitivity to visual feedback through fixed hysteresis, no undesired switching when there are short-term changes to the ambient brightness, temporary suppression of switching delay after adjustment for immediate load test, zero point switching for the direct control of large lighting loads. Ample connection space for cable glands and ease of wiring.

**Mounting**

For mounting directly to a flat wall or post using the optional mounting kit.

**Applications**

Control of lighting for streets, buildings and industrial premises.

**Notes**

Not suitable for switching low current / low voltage loads.

**Accessories**

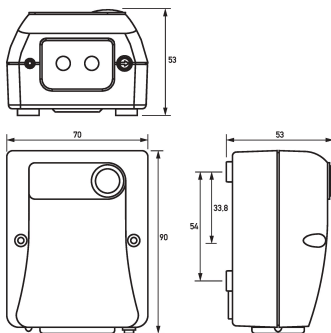
Fastening sets

**Technical Data**

Technical Data	Dasy 016-2 230 V - **
Series	Dasy 16
Contact configuration	1 N/O
Manual operating mode possible	false
Adjustability, delay	fixed
Switch-on delay range	max. 10 s
Switch-off delay range	max. 40 s
Adjustability, switch-on threshold twilight	Smooth, logarithmic
Switch-on threshold range shading twilight	1 lux ... 200 lux
Adjustability of twilight hysteresis	fixed
Switch-off threshold hysteresis factor	1.5

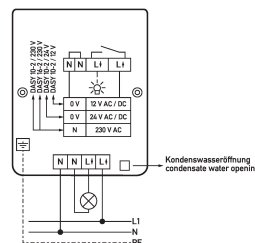
Technical Data	Dasy 016-2 230 V - **
Twilight switch-off threshold range shading	1 lux ... 200 lux
Operating voltage (AC)	230 V (207 V ... 253 V)
Operating frequency	50 Hz
Internal consumption	max. 2.5 W
	Display Power-on threshold
Type	LED
	Load circuit
Specification	Relay
Rated voltage (AC)	230 V
Rated current (AC)	16 A
Rated power	max. 4000 VA
Rated frequency	50 Hz
max. Rated power LED	400 VA
	Screw-type terminal (Load circuit)
Clamping area	0.4 mm <sup>2</sup> ... 4 mm <sup>2</sup>
Tightening torque	max. 0.5 Nm
Connection C2 Maximum number of conductors per terminal	2
	General data
Operating position	tilted 90°
Mechanical endurance	min. 100 · 10 <sup>6</sup> cycles
Electrical endurance	min. 1 · 10 <sup>6</sup> cycles
Ambient temperature	-25 °C ... 45 °C
Housing type	wall-mounted housing
Mounting type	Mast assembly
Housing material	Polycarbonate (PC)
Housing colour	signal white (similar to RAL 9003)
Protection class	IP54
Width	70 mm
Height	90 mm
Depth	53 mm
Design requirements/Standards	EN 60669-1
Certifications	VDE

**Dimensions**



Dimensional drawing Group view

**Wiring example**



Wiring diagram

**Diagrams**

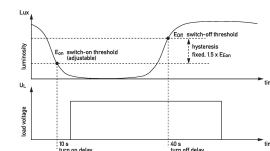


Diagram Derating graph Dasy 10/16