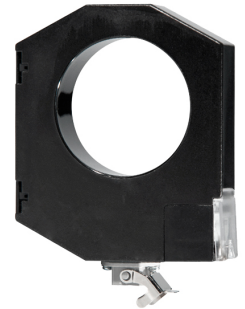


UK Technical Data 09

DRCA 1 CT 070, 105, 140

Transducers for DRCA 1 residual current analysis system



Function

DRCA 1 CT together with the DRCA 1 detection unit forms a residual / leakage analysis system. Other detection units cannot be operated with this type of CT.

Features

Suitable for detecting residual currents from 10 Hz to 100 kHz, rated currents up to 350 A. Internal diameters 70 mm, 105 mm and 140 mm based on the CSA of cables to be monitored.

Mounting

The CT must be mounted on a back plate using the mounting brackets supplied with the product. Cables must pass through the center of the CT and at right angles to the CT axis. It should be located in the immediate vicinity of the RCD, so that the measured values reflect the currents passing through the RCD.

Applications

Transformers from series DRCA 1-CT are used in combination with DRCA 1 analysis system.

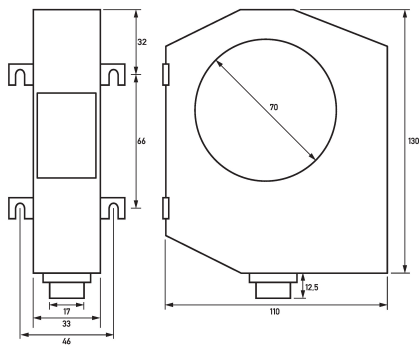
Technical Data

Technical Data	DRCA 1 CT ***
Series	DRCA 1 CT ***
Current transformer specification	Differential Transformer
Current transformer suitable for	DRCA 1
Residual operating current $I_{\Delta n}$	0 A ... 10 A
	Transformer primary
Rated voltage (AC)	0 V ... 690 V
rated impulse withstand voltage	8 kV / Category IV
Rated current	DRCA 1 CT070 = 200 A, DRCA 1 CT105 = 250 A, DRCA 1 CT140 = 350 A
Rated frequency	10 Hz ... 100 kHz
	Plug-in terminal (Transformer output)
Protective cover available	true
max. Connection C1 cable length	3 m (ready-for-use)
	General data
Operating position	any
max. Operating altitude above MSL	2000 m
Storage temperature	-40 °C ... 85 °C
Ambient temperature	-25 °C ... 65 °C
Housing type	wall-mounted housing
Mounting type	Wall mounting

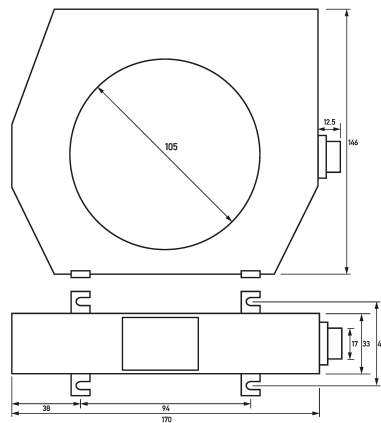
Technical Data	DRCA 1 CT 070		
Housing material	Polycarbonate (PC)		
Protection class	IP20		
Reference	DRCA 1 CT070	DRCA 1 CT105	DRCA 1 CT140
Width	33 mm	33 mm	33 mm
Height	130 mm	170 mm	220 mm
Depth	110 mm	165 mm	196 mm
Fixing center mountings	46 mm	46 mm	46 mm
Width including mountings	56 mm	56 mm	56 mm
Inside diameter	70 mm	105 mm	140 mm
Design requirements/Standards	EN 61010-1, VDE 0411 Teil 1		

Dimensions

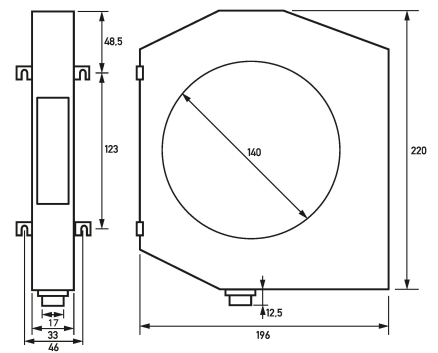
DRCA 1 CT070



DRCA 1 CT105



DRCA 1 CT140



Dimensional drawing Group view